



ERGOFLIER™ S23

Product Number
EF-SS-23

Here is a real stand-up solution that comes from hours of typing. The ErgoFlier™ S23 reduces stress on wrists, neck and back while offering stand-up computer operation whenever desired. The internal Lift-N-Lock spring-assisted counterbalancing system holds the keyboard at the selected height without the need for a crank or knob adjustment – just lift the keyboard and change keyboard elevation. Tilting for maximum comfort is achieved with a single, easy-to-use level. The arm slides under the work surface on a plastic glide track.



ergoGENESIS

FEATURING BODYBILT SEATING SOLUTIONS

09

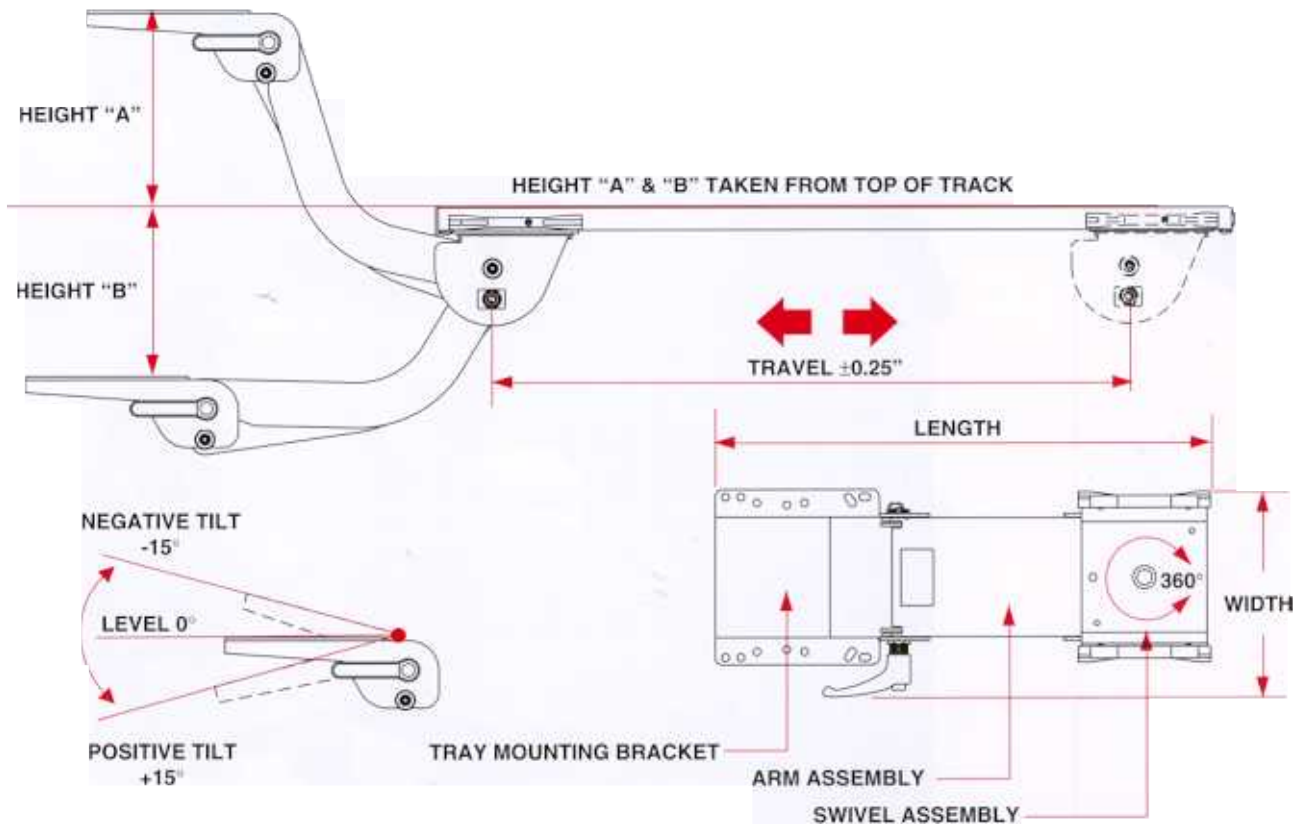
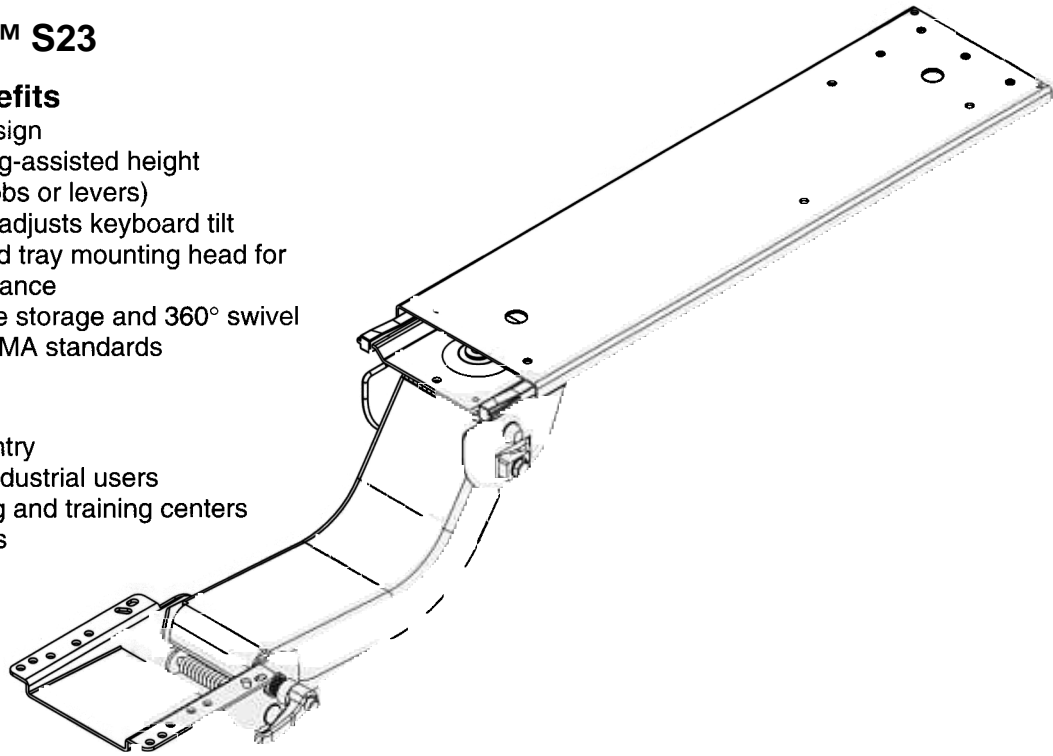
ERGOFLIER™ S23

Features & Benefits

- Stable, durable design
- Lift-N-Lock™ spring-assisted height adjustment (no knobs or levers)
- Independent lever adjusts keyboard tilt
- Low profile arm and tray mounting head for maximum leg clearance
- Under work surface storage and 360° swivel
- Exceeds ANSI/BIFMA standards

Applications

- Typing and data entry
- Commercial and industrial users
- Education, learning and training centers
- Corner applications



MODEL	(A) HEIGHT	(B)	WIDTH	LENGTH	TRAVEL	STORAGE	FINISH	WEIGHT
EF-SS-23	6.2"	6.0"	7.0"	19.6"	17.8"	23" Plastic Glide	Black Wrinkle Paint	13 lbs

NOTE:

1. Weight = packaged shipping weight per unit.
2. Specifications are subject to change without notice.