

FocalFlotation™



The FocalFlotation LCD monitor arm features a unique multi-directional swivel system that enables a full range of motion while ensuring a high degree of monitor stability. Adjustment of the monitor to the desired position is simple and easy. Gently push the arm to the desired location and lock. Low profile mounting system and integrated cord management minimizes work surface clutter.

PRODUCT NUMBER
EF-MON-ARM



FEATURING BODYBILT SEATING SOLUTIONS

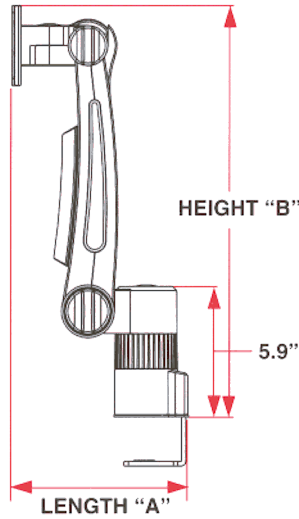
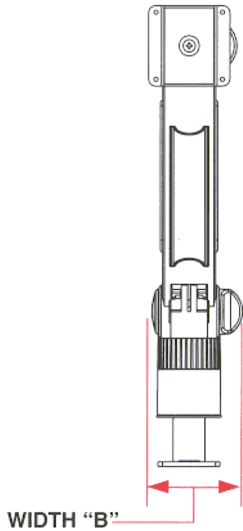
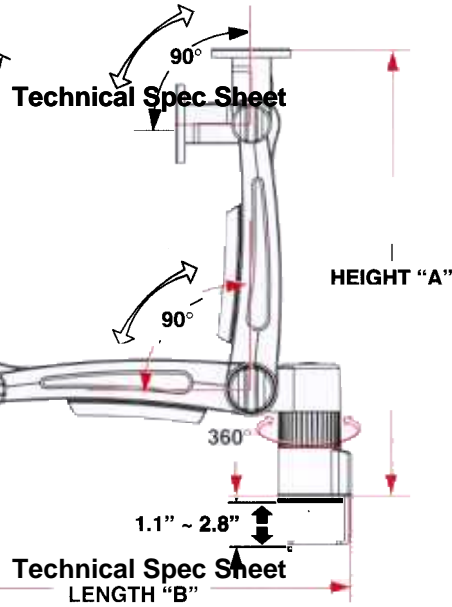
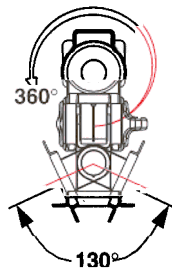
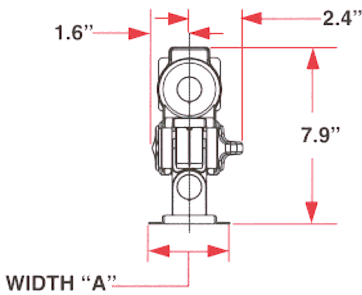
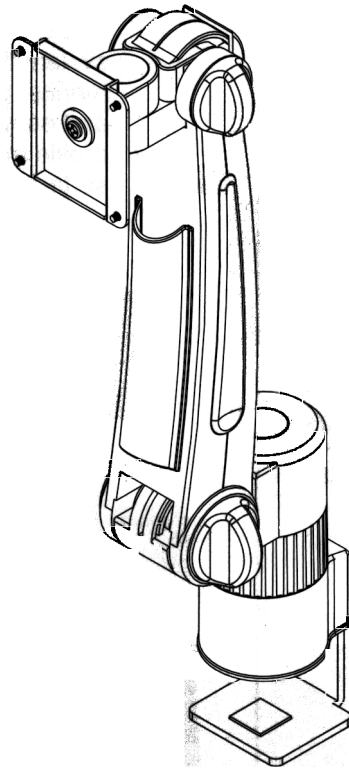
FocalFlotation™

Features & Benefits

- Stable, durable design
- Aesthetically pleasing sleek design
- VESA standard mounting plate (both small and large versions included)
- Swivel adjustment on arm base and mounting head
- Cable management snap-on shroud
- Tension control knobs to counter balance monitor weights from 6 to 12 lbs
- Grommet mounting option included
- Meets or exceeds ANSI/BIFMA standards

Applications

- Occasional to moderate user
- SOHO (Small Office Home Office)



MODEL	(A) HEIGHT (B)		WIDTH	WIDTH B	LENGTH & B	LOAD	FINISH	WEIGHT
EF-MON-ARM	19.9"	19.1"	3.6"	4.0"	7.9"	6-12 lbs	Black ABS Plastic	5 lbs

NOTE:
 1. Weight = packaged shipping weight per unit.
 2. Specifications are subject to change without notice.