



ERGOFLIER™ T17

The ErgoFlier™ T17 arm was designed specifically for occasional users and for educational applications where a no-frills, solid keyboard platform is desired. Fully adjustable, this arm operates with a single control knob that simultaneously adjusts both height and tilt. The ErgoFlier™ T17 stores under the work surface on a plastic glide track.

Product Number

EF-TT-17



ergoGENESIS

FEATURING BODYBILT SEATING SOLUTIONS

01

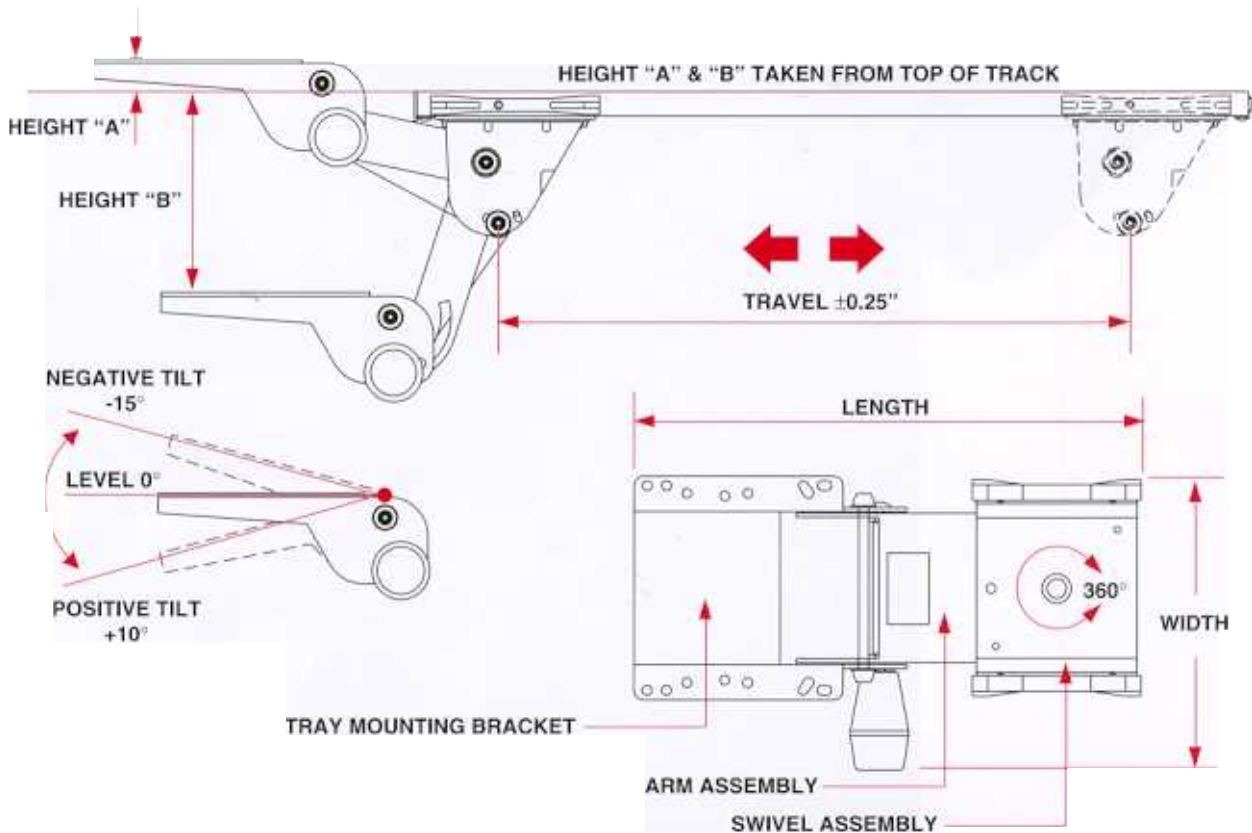
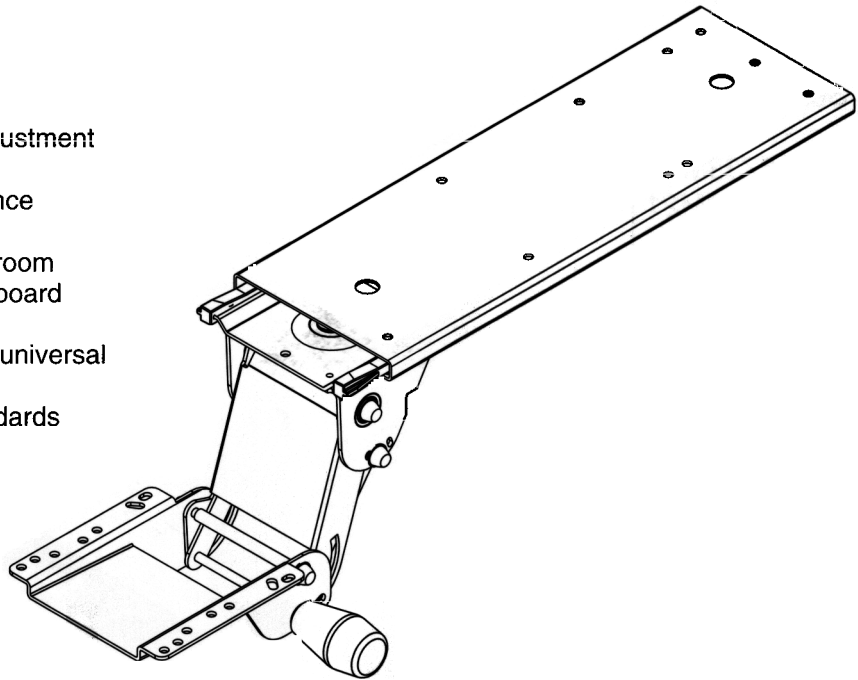
ERGOFLIER™ T17

Features & Benefits

- Stable, durable design
- Soft-touch knob for simultaneous adjustment of both height and tilt
- Spring assisted to help counter balance keyboard and tray weight
- Low profile design for maximum leg room
- 360° swivel allows user to move keyboard freely from side to side
- Stores on a plastic glide track with a universal mounting hole pattern
- Meets or exceeds ANSI/BIFMA standards

Applications

- Occasional to moderate user
- SOHO (Small Office Home Office)



MODEL	(A) HEIGHT	(B)	WIDTH	LENGTH	TRAVEL	STORAGE	FINISH	WEIGHT
EF-TT-17	1.2"	5.0"	7.5"	14.5	12.1"	17.0" Plastic Glide	Black Wrinkle Paint	8.0 lbs

NOTE:

1. Weight = packaged shipping weight per unit.
2. Specifications are subject to change without notice.