

ERGOFLIER™ T21



Product Number
EF-TT-21

The ErgoFlier™ T21 is perfect for anyone who needs a solid platform with fast position changing capability or in stations used by more than one person. Height adjustments are accomplished with minimal effort thanks to the Life-N-Lock spring-assisted counter balancing system which operates without knobs or cranks. Simply lift the keyboard platform slightly and adjust the height. The ErgoFlier™ T21 arm slides under the works surface on a plastic glide track.



FEATURING BODYBILT SEATING SOLUTIONS

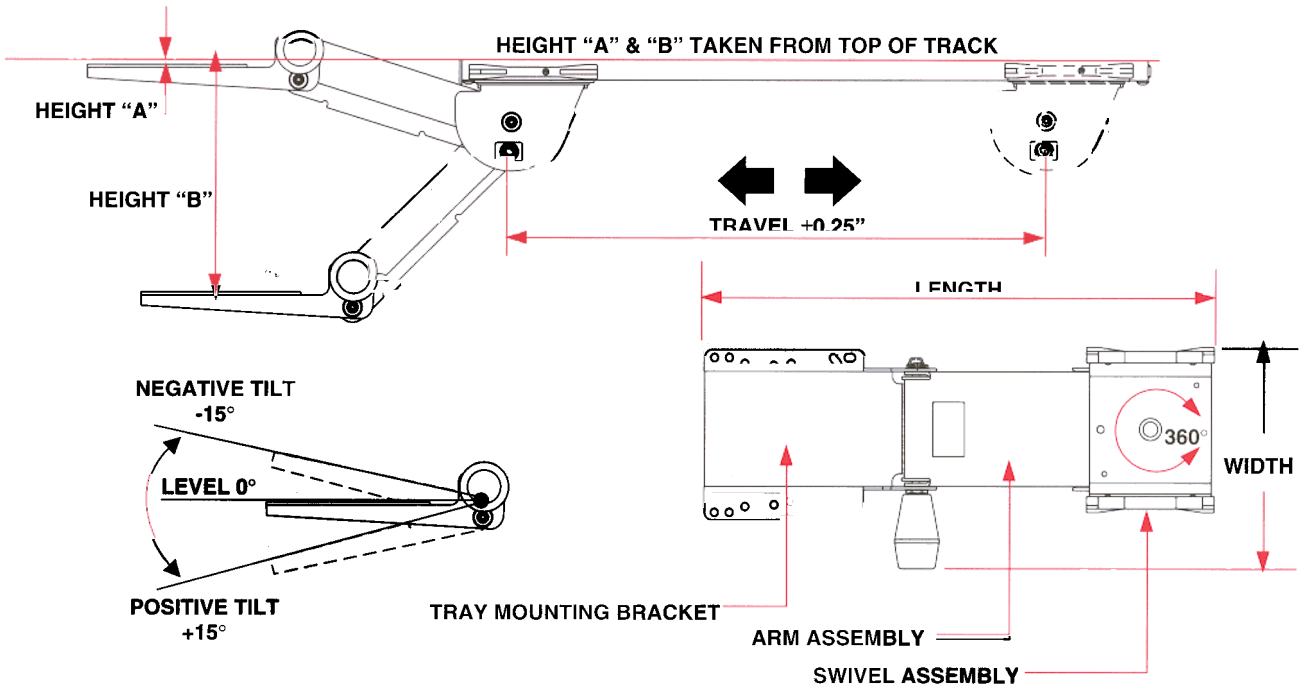
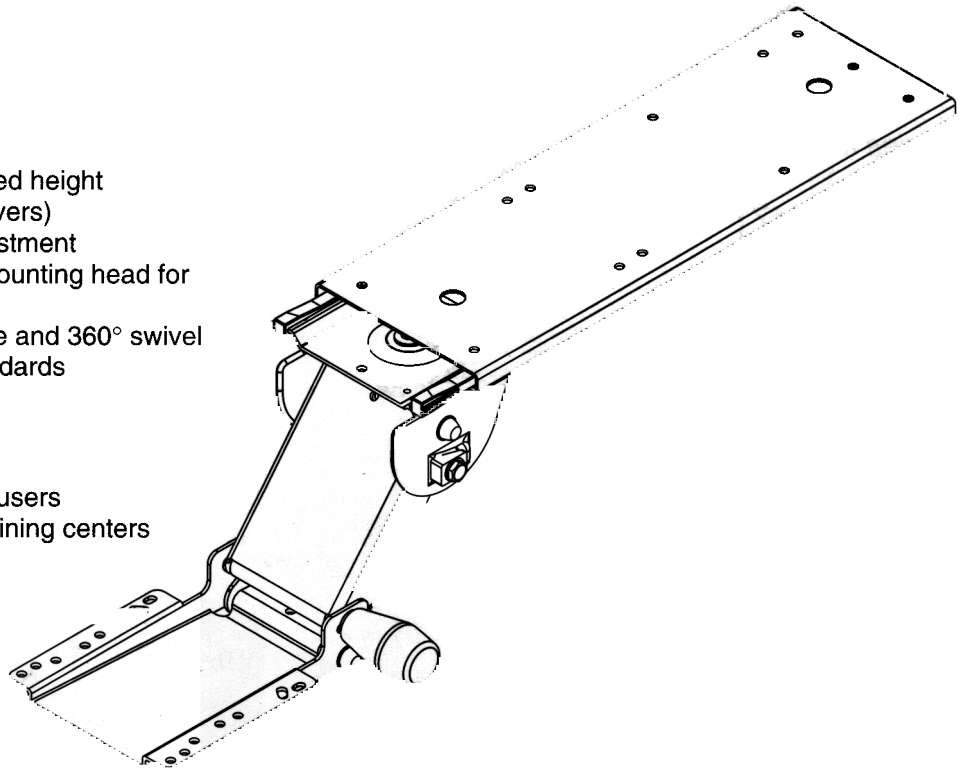
ERGOFLIER™ T21

Features & Benefits

- Stable, durable design
- Lift-N-Lock™ spring-assisted height adjustment (no knobs or levers)
- Soft touch knob for tilt adjustment
- Low profile arm and tray mounting head for maximum leg clearance
- Under work surface storage and 360° swivel
- Exceeds ANSI/BIFMA standards

Applications

- Typing and data entry
- Commercial and industrial users
- Education, learning and training centers



MODEL	(A) HEIGHT	(B)	WIDTH	LENGTH	TRAVEL	STORAGE	FINISH	WEIGHT
EF-TT-21	-0.63"	8.5.0"	7.6"	15.7"	17.8"	23" Plastic Guide	Black Wrinkle Paint	13.0 lbs

NOTE:

1. Weight = packaged shipping weight per unit.
2. Specifications are subject to change without notice.