



ERGOFLIER™ B23

The ErgoFlier™B23 is perfect for anyone who needs a solid platform with fast position changing capability or in stations used by more than one person. Height adjustments are accomplished with minimal effort thanks to the Lift-N-Lock spring-assisted counter balancing system that operates without knobs or cranks. Simply lift the keyboard platform slightly and adjust the height. The ErgoFlier™ B23 Arm slides under the work surface on a ball bearing track.

Product Number

EF-BT-23



ergoGENESIS

FEATURING BODYBILT SEATING SOLUTIONS

07

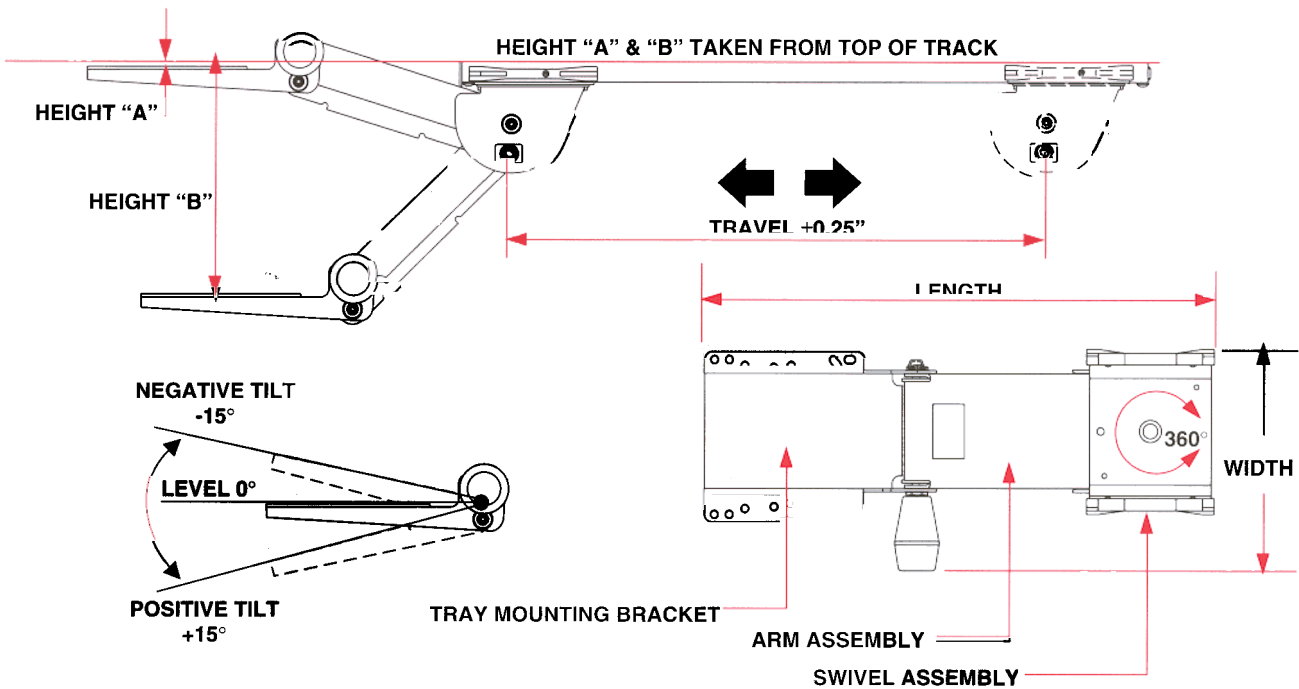
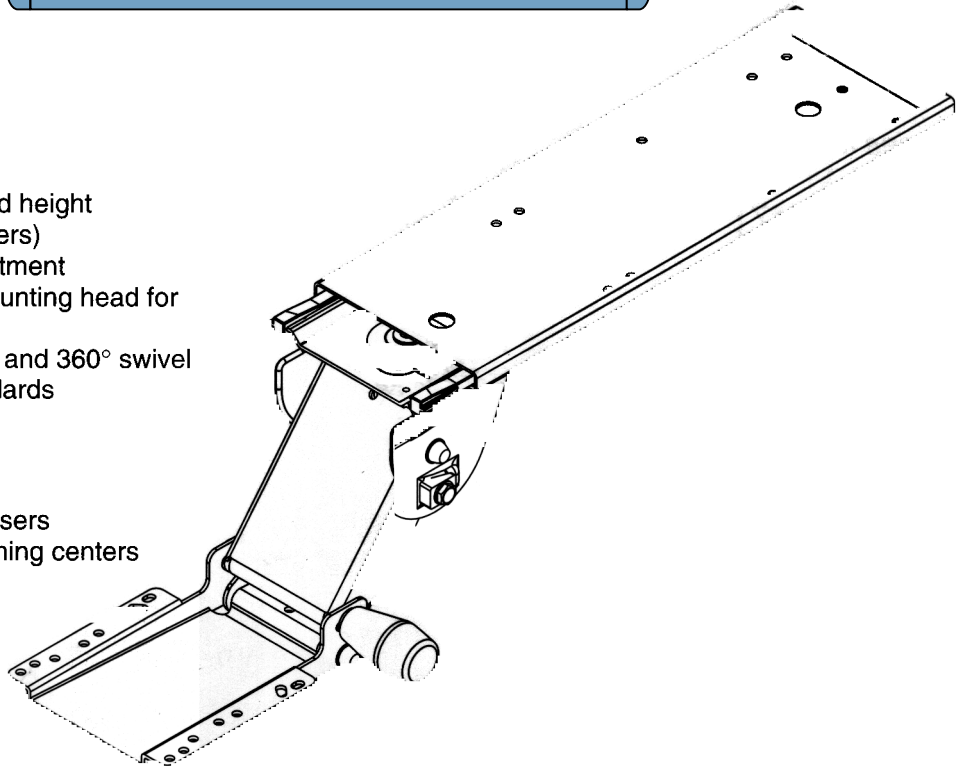
ERGOFLIER™ B23

Features & Benefits

- Stable, durable design
- Lift-N-Lock™ spring-assisted height adjustment (no knobs or levers)
- Soft touch knob for tilt adjustment
- Low profile arm and tray mounting head for maximum leg clearance
- Under work surface storage and 360° swivel
- Exceeds ANSI/BIFMA standards

Applications

- Typing and data entry
- Commercial and industrial users
- Education, learning and training centers



MODEL	(A) HEIGHT	(B)	WIDTH	LENGTH	TRAVEL	STORAGE	FINISH	WEIGHT
EF-BT-23	0	6.0"	7.6"	16.0"	17.8"	22.5" Ball Bearing	Black Wrinkle Paint	15.0 lbs

NOTE:

1. Weight = packaged shipping weight per unit.
2. Specifications are subject to change without notice.